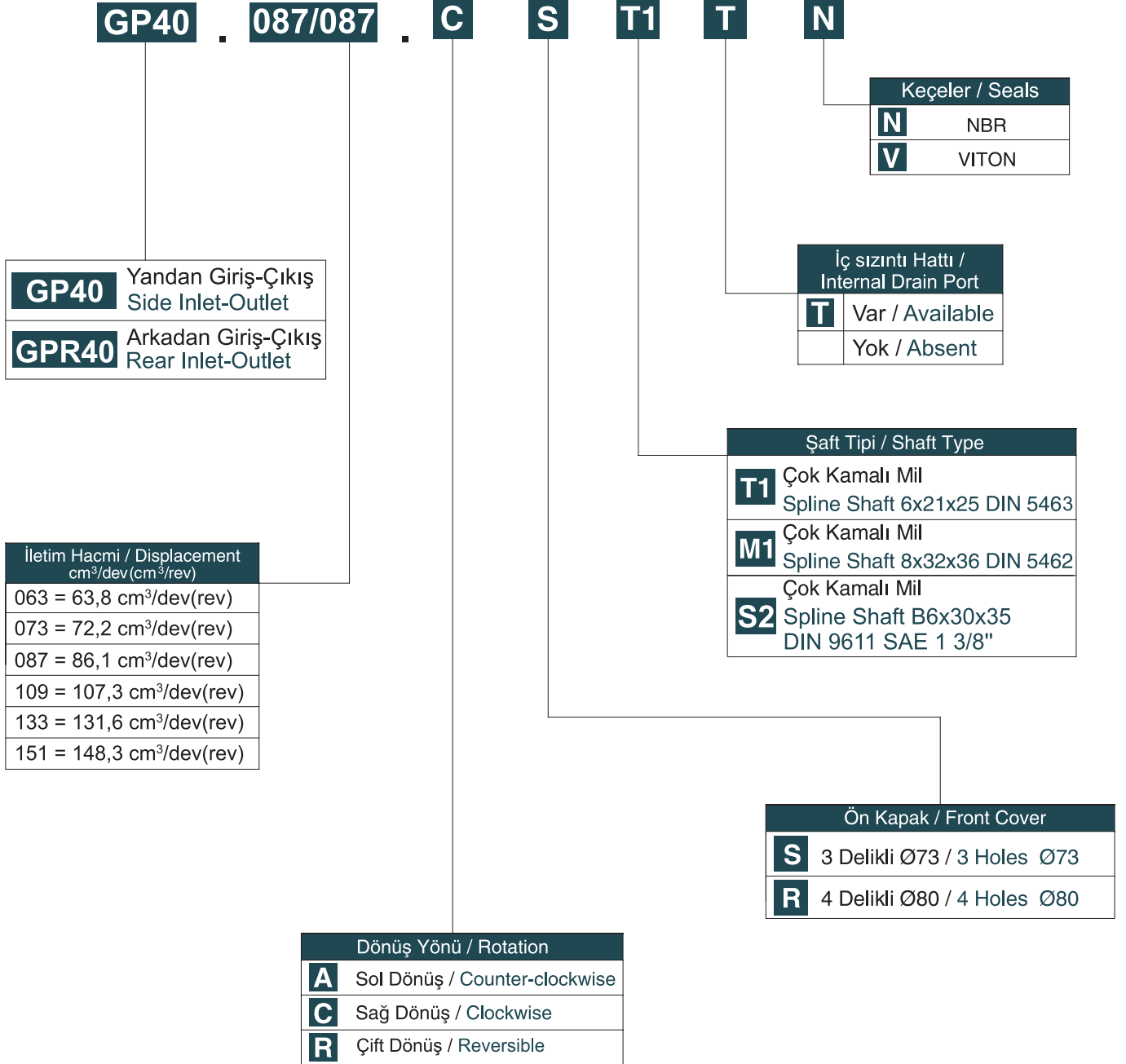


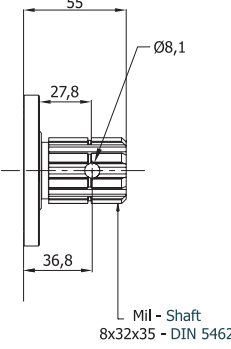
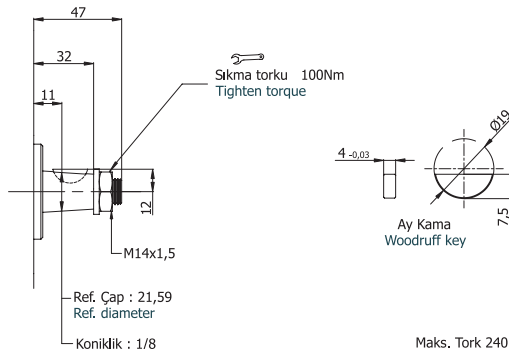
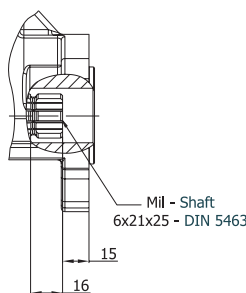
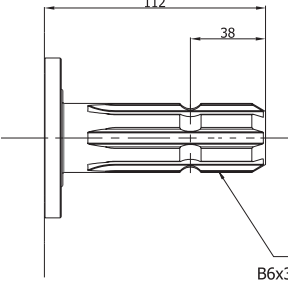
## GP40 POMPALARIN KODLAMA SİSTEMİ ORDERING CODE OF GP40 PUMPS



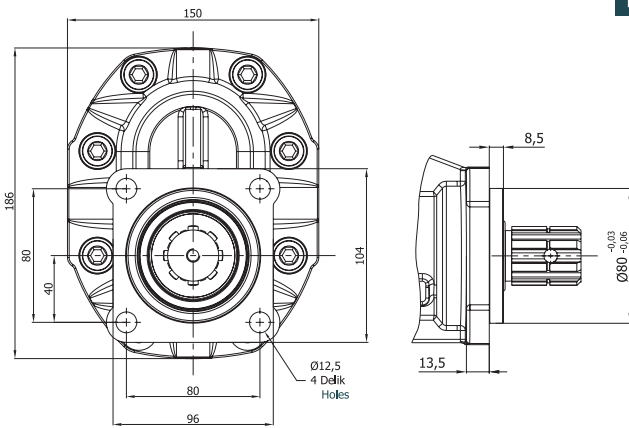
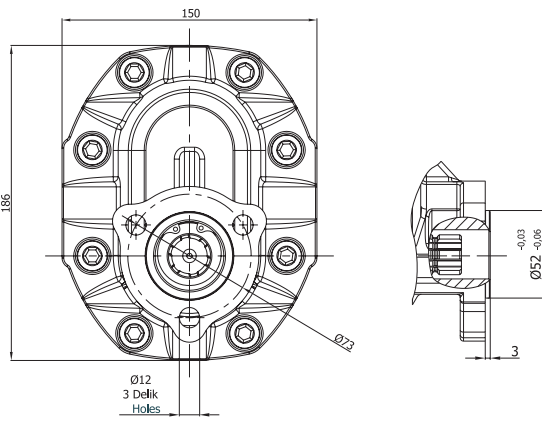
- Kodlama Örneği (Tekli) ; GP40.087.CST1N  
Code Example (Single)

- Kodlama Örneği (Tandem) ; GP40.087/087.CST1N  
Code Example (Tandem)

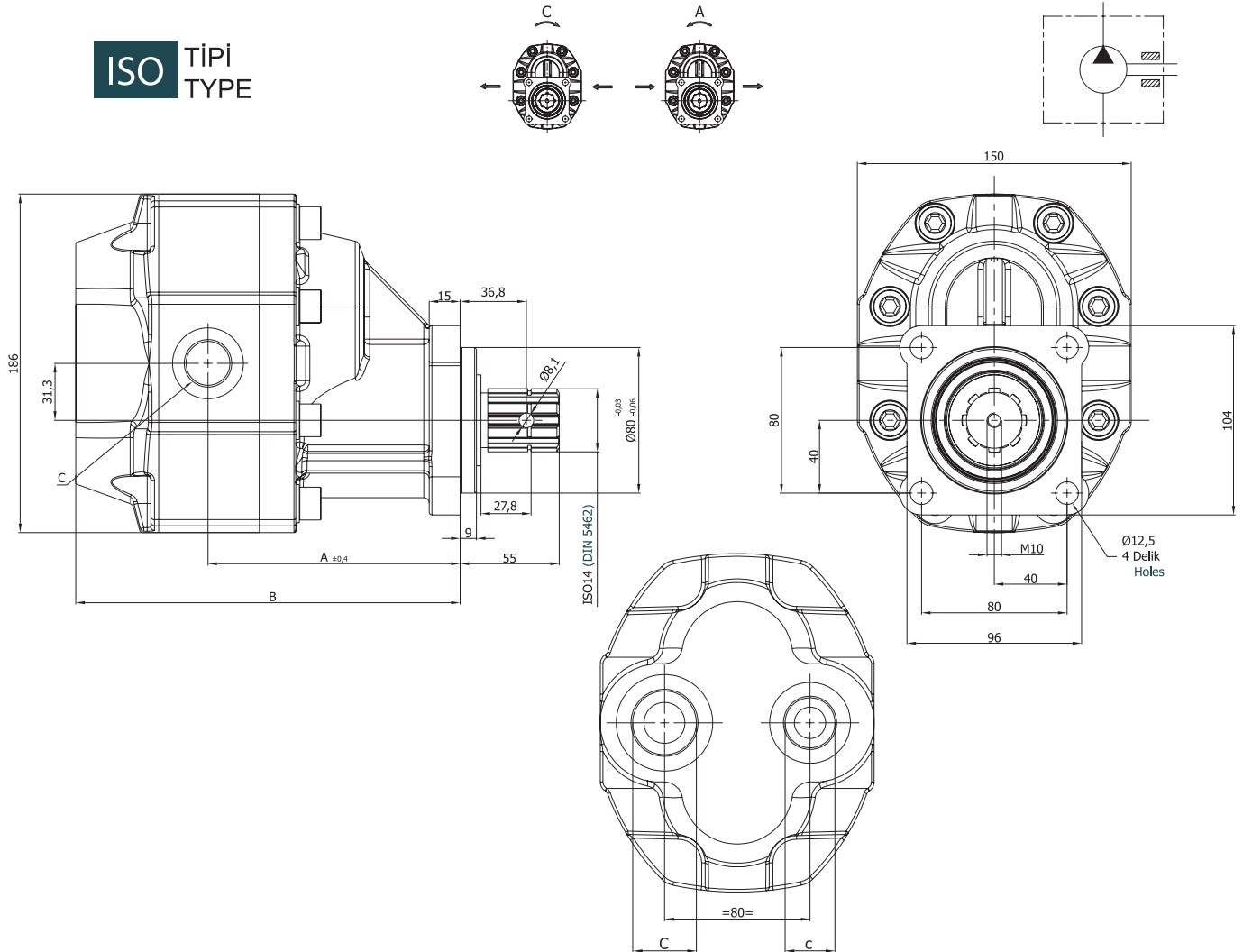
GP40 ŞAFT TİPLERİ / GP40 SHAFT TYPES

<p><b>M1</b></p>  <p>Mil - Shaft 8x32x35 - DIN 5462</p> <p>Maks. Tork 350 Nm Max. Torque</p>	<p><b>B1</b></p>  <p>Sıkma torku 100Nm Tighten torque</p> <p>Ref. Çap : 21,59 Ref. diameter</p> <p>Koniklik : 1/8 Taper</p> <p>Ay Kama Woodruff key</p> <p>Maks. Tork 240 Nm Max. Torque</p>
<p><b>T1</b></p>  <p>Mil - Shaft 6x21x25 - DIN 5463</p> <p>Maks. Tork 400 Nm Max. Torque</p>	<p><b>S2</b></p>  <p>Mil - DIN 9611 SAE 1 3/8" B6x30x35 - Shaft</p> <p>Maks. Tork 300 Nm Max. Torque</p>

GP40 ÖN KAPAKLAR / GP40 FRONT COVERS

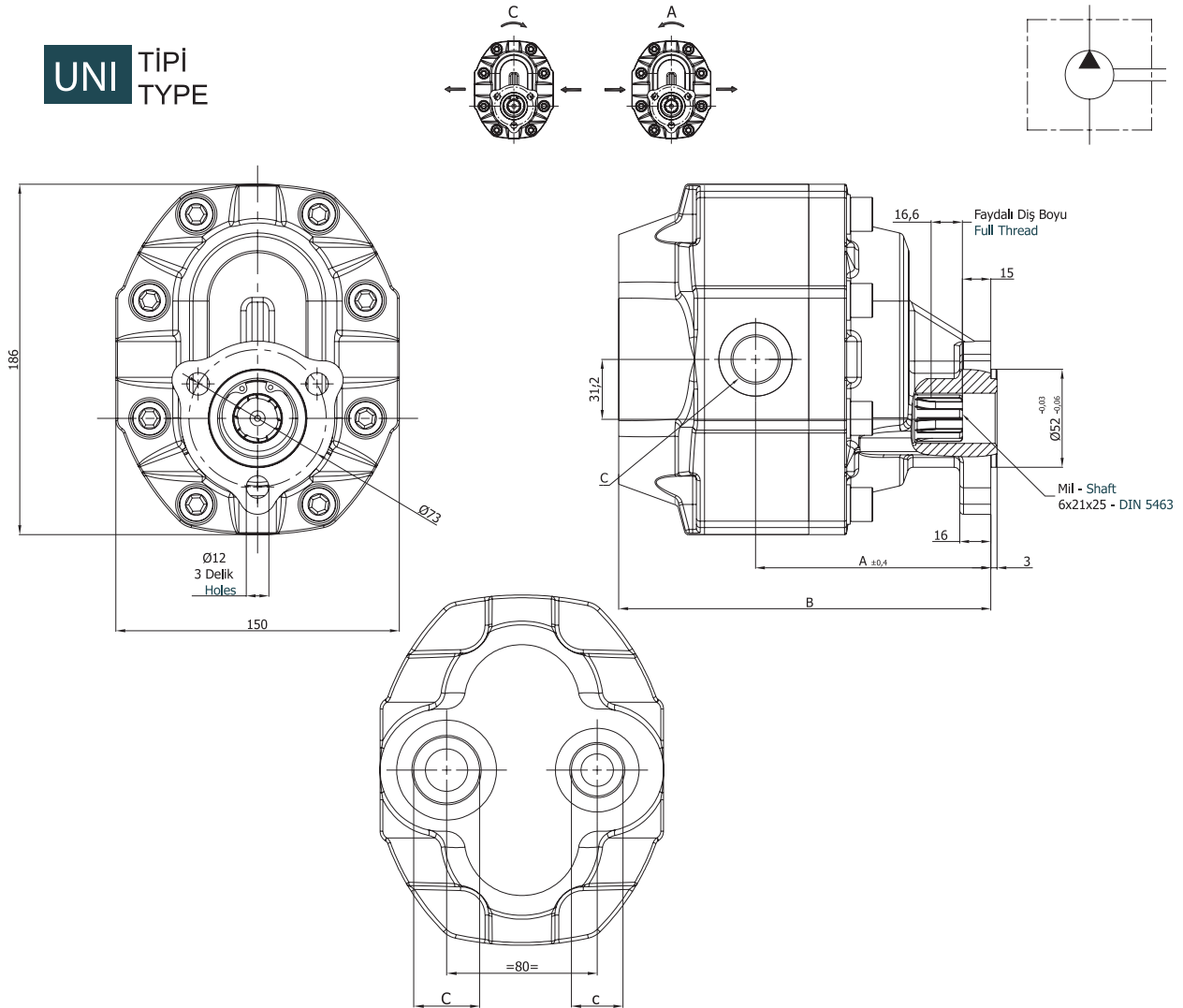
<p><b>R</b></p>  <p>Ø12,5 4 Delik Holes</p> <p>Maks. Tork 300 Nm Max. Torque</p>	<p><b>S</b></p>  <p>Ø12 3 Delik Holes</p> <p>Maks. Tork 300 Nm Max. Torque</p>
---	--

ISO TİPİ  
TYPE



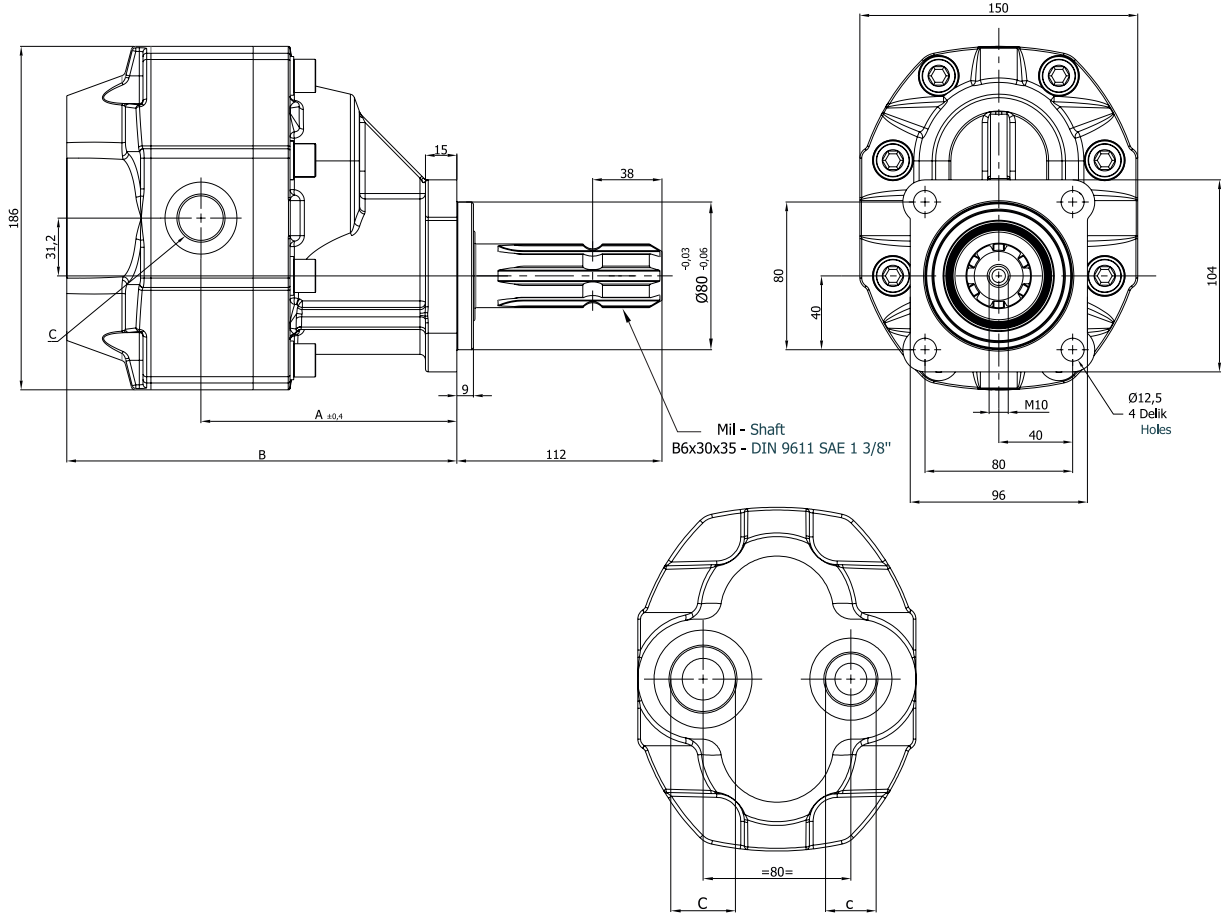
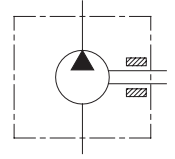
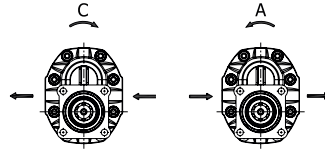
Pompa Tipi Pump Type	İletim Hacmi Displacement cm <sup>3</sup> /dev(cm <sup>3</sup> /rev)	Maks. Basınç Max. Pressure (bar)	Maks. Hız Max. Speed d/d (rpm)	A ±0,4	B	Giriş – Inlet	Çıkış - Outlet
						C	c
GPR40.063.CRM1N	63,8	280	2750	136,3	208,5	G 1"	G 3/4"
GPR40.063.ARM1N							
GPR40.073.CRM1N	72,2	260		137,3	210,0	G 1-1/4"	G 1"
GPR40.073.ARM1N							
GPR40.087.CRM1N	86,1	240	141,0	214,0	G 1-1/4"	G 1"	
GPR40.087.ARM1N							
GPR40.109.CRM1N	107,3	220	145,0	221,5	G 1-1/2"		G 1"
GPR40.109.ARM1N							
GPR40.133.CRM1N	131,6	180	148,0	230,5	G 1-1/2"	G 1"	
GPR40.133.ARM1N							
GPR40.151.CRM1N	148,3	153,3	236,5				G 1"
GPR40.151.ARM1N							

UNI  
TİPİ  
TYPE



Pompa Tipi Pump Type	İletim Hacmi Displacement cm <sup>3</sup> /dev (cm <sup>3</sup> /rev)	Maks. Basınç Max. Pressure (bar)	Maks. Hız Max. Speed d/d (rpm)	A ±0.4	B	Giriş – Inlet	Çıkış - Outlet
						C	c
GPR40.063.CST1N	63,8	280	2750	124,0	196,2	G 1"	G 3/4"
GPR40.063.AST1N							
GPR40.073.CST1N	72,2	260	2750	125,0	197,7	G 1-1/4"	G 1"
GPR40.073.AST1N							
GPR40.087.CST1N	86,1	240	2500	128,7	201,7	G 1-1/2"	G 1"
GPR40.087.AST1N							
GPR40.109.CST1N	107,3	180	2500	132,7	209,2	G 1-1/2"	G 1"
GPR40.109.AST1N							
GPR40.133.CST1N	131,6	220	2500	135,7	218,2	G 1-1/2"	G 1"
GPR40.133.AST1N							
GPR40.151.CST1N	148,3	180	2500	141,0	224,2	G 1-1/2"	G 1"
GPR40.151.AST1N							

SAE  
TİPİ  
TYPE



Pompa Tipi Pump Type	İletim Hacmi Displacement cm <sup>3</sup> /dev (cm <sup>3</sup> /rev)	Maks. Basınç Max. Pressure (bar)	Maks. Hız Max. Speed d/d (rpm)	A ±0,4	B	Giriş – Inlet	Çıkış - Outlet
						C	c
GPR40.063.CRS2N	63,8	280	2750	136,3	208,5	G 1"	G 3/4"
GPR40.063.ARS2N							
GPR40.073.CRS2N	72,2	260	2500	137,3	210,0	G 1-1/4"	G 1"
GPR40.073.ARS2N							
GPR40.087.CRS2N	86,1	240	2500	141,0	214,0	G 1-1/2"	G 1"
GPR40.087.ARS2N							
GPR40.109.CRS2N	107,3	180	2500	145,0	221,5	G 1-1/2"	G 1"
GPR40.109.ARS2N							
GPR40.133.CRS2N	131,6	220	2500	148,0	230,5	G 1-1/2"	G 1"
GPR40.133.ARS2N							
GPR40.151.CRS2N	148,3	180	2500	153,3	236,5	G 1-1/2"	G 1"
GPR40.151.ARS2N							